

Nature has the  
best links...

LINK has the second best.



**Endo-Model**<sup>®</sup>

Rotational and Hinge Knee Prosthesis



## New Coupling Mechanism V02 for Endo-Model® Rotational and Hinge Knee Prosthesis, Standard & Modular

### The advantages for you: small changes make a big difference

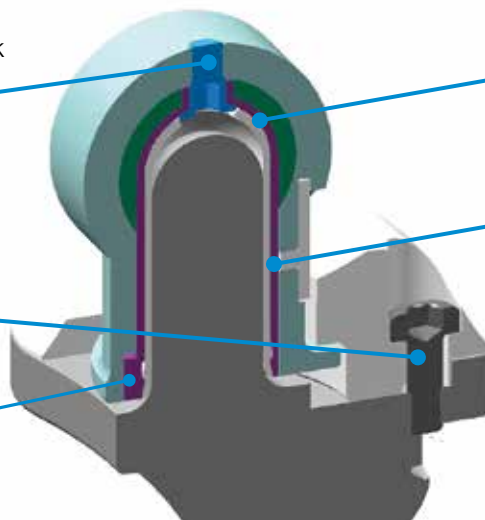
- **Quick** and **easy** to use
- **Enhanced cold flow** protection
- **Versatility** through the use of other modular stems
- **Environmentally friendly**, optimized packaging units

- **Quick and easy to use**

2.5 mm hex socket screw for quick and easy installation and removal of the rotational bushing

3.5 mm hex socket for the fixation screw

Integral anti-rotation securing of the all-metal bushing



**Rotational Bushing**

- **Enhanced cold flow protection**

All-metal sheathing of the rotational bushing

Encased UHMWPE

- **Versatility through the use of other modular stems**

Enlargement of the groove for compatibility with modular stems from the Megasystem-C® portfolio, like truly conical cementless press-fit stems.



- **Environmentally friendly, optimized packaging**

To avoid unnecessary waste, centralizers\* are no longer included in the package. Instead, they are supplied individually or packaged as a set.

\* Their use is strongly recommended



## How to recognize the new V02 version

- Sticker on the outside of the packaging
- The addition of "V02" on the main label and patient stickers

## Additional instruments and spare parts

- **When implanting the new V02 version**, an additional screwdriver is all that is required:
  - **64-8008/02 – Hex Screwdriver** with metal handle, size 3.5 mm, 250 mm
- For converting or revising an **in-situ prosthesis**:
  - Sterile-packaged **V02 Replacement Sets** (see Endo-Model Standard/-M catalog)
  - **V02 additional Instrument Set**



Item no.	for Rotational Knee Prostheses Endo-Model® and Endo-Model® – M (with V02 coupling mechanism)
15-2529/90	<b>Set</b> , complete, in 1 small container K1, on 1 tray with storage racks
05-1000/01	<b>Small Container K1</b> , only, 460 x 190 x 92 mm
15-2529/91	<b>Tray</b> , empty, 405 x 165 x 50 mm
64-8008/02	<b>Hex Screwdriver</b> with metal handle, size 3.5 mm, 250 mm
15-2544	<b>Separate Rod</b> for removal of the rotational bushing version V02, Ø M5, 210 mm
10-5373/01	<b>Hex Screwdriver</b> with metal handle, size 2.5 mm, 180 mm
15-2545	<b>Torque Wrench</b> , size 2.5 mm, 205 mm

- in addition to the Instrument Set for **Rotational Bushing Replacement 99-0027/60**.



## Waldemar Link GmbH & Co. KG

Barkhausenweg 10 · 22339 Hamburg, Germany  
P.O. Box 63 05 52 · 22315 Hamburg, Germany  
Tel.: +49 40 53995-0 · Fax: +49 40 538 6929  
info@linkhh.de · www.linkorthopaedics.com

**LINK**<sup>®</sup>

